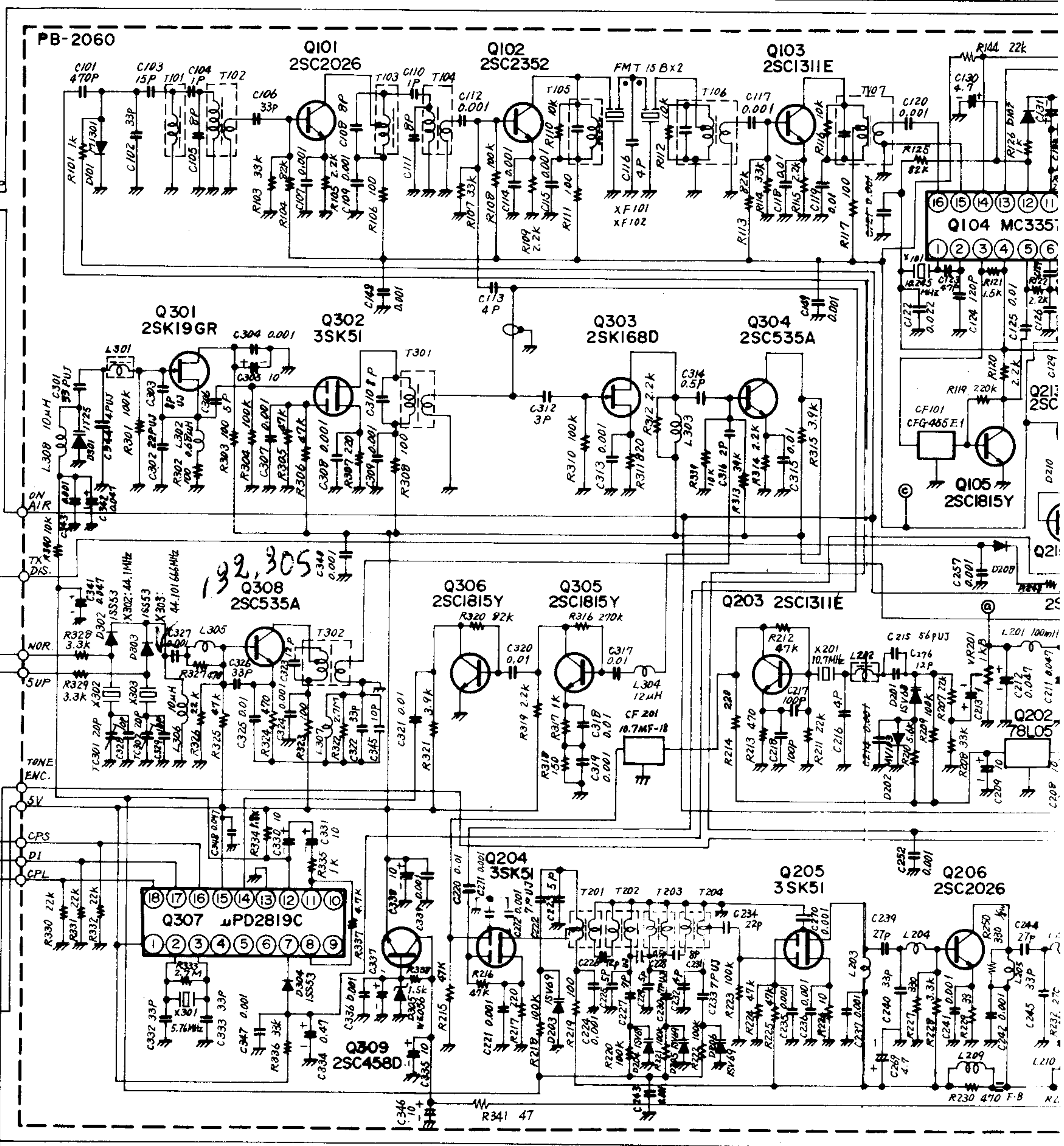
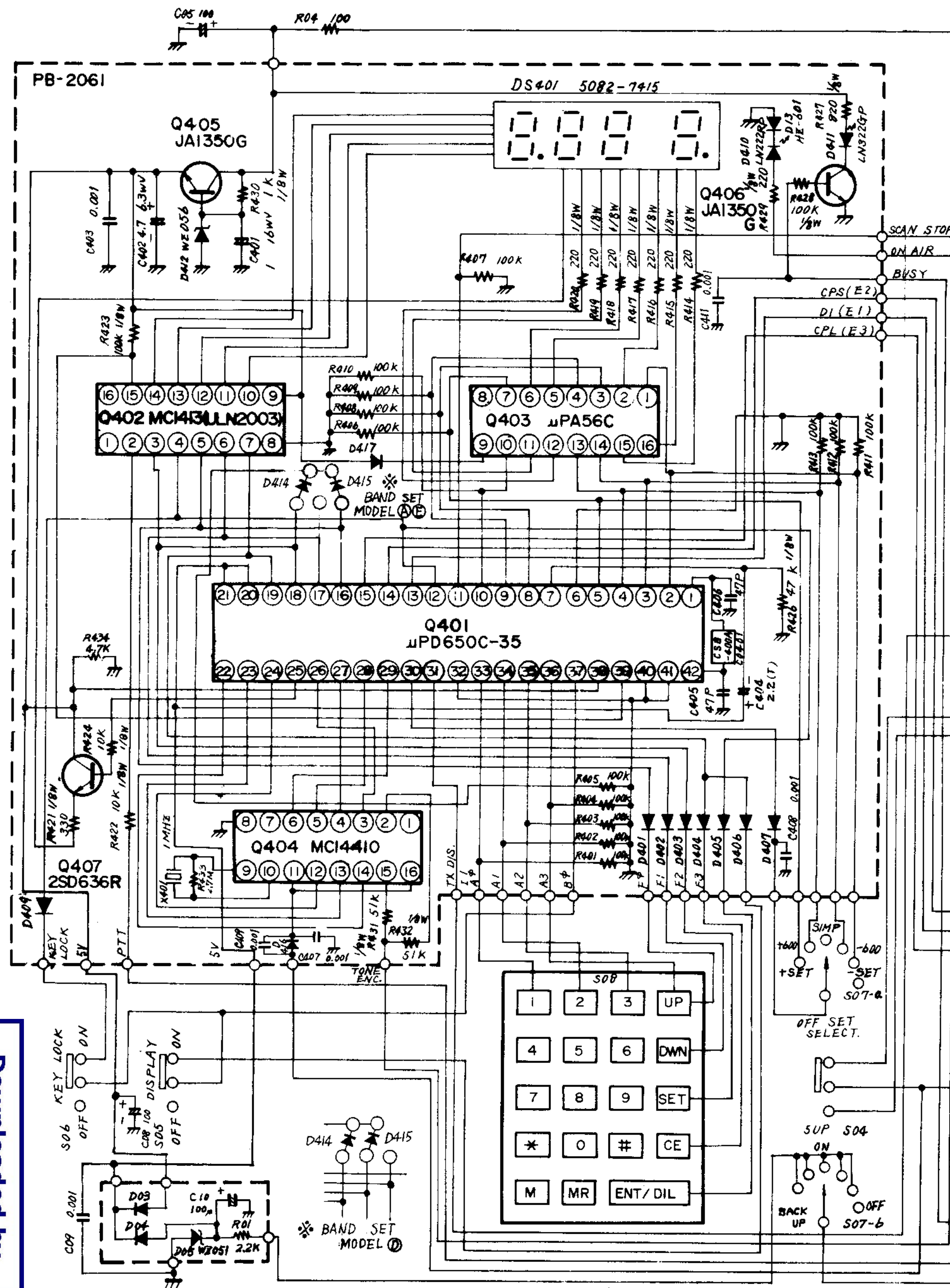


Downloaded by
RadioAmateur.EU

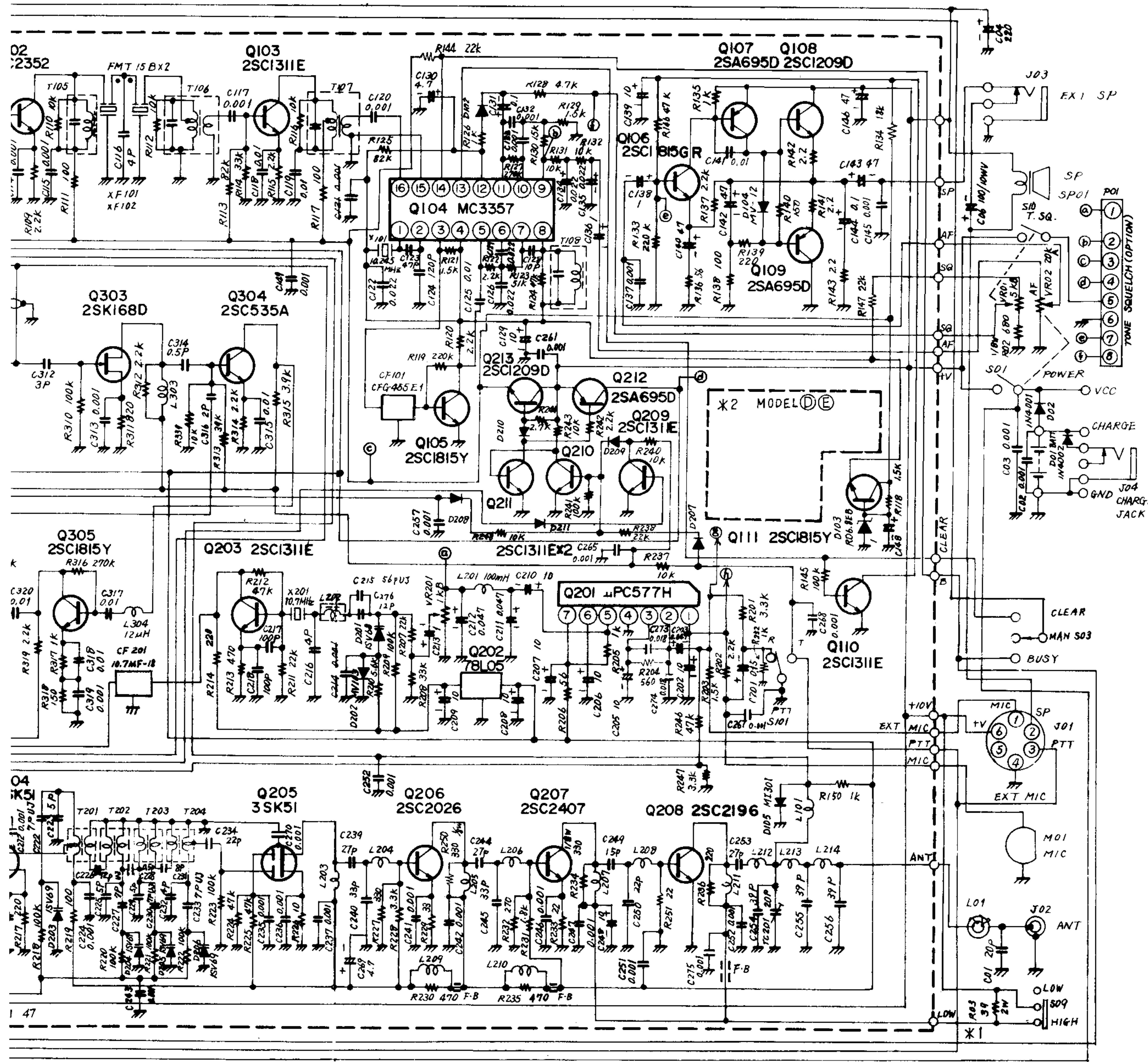
FT 207R
BLOCK DIAGRAM

- Rx
- - - Tx
- · · CONT
- ≡ DATA BUS

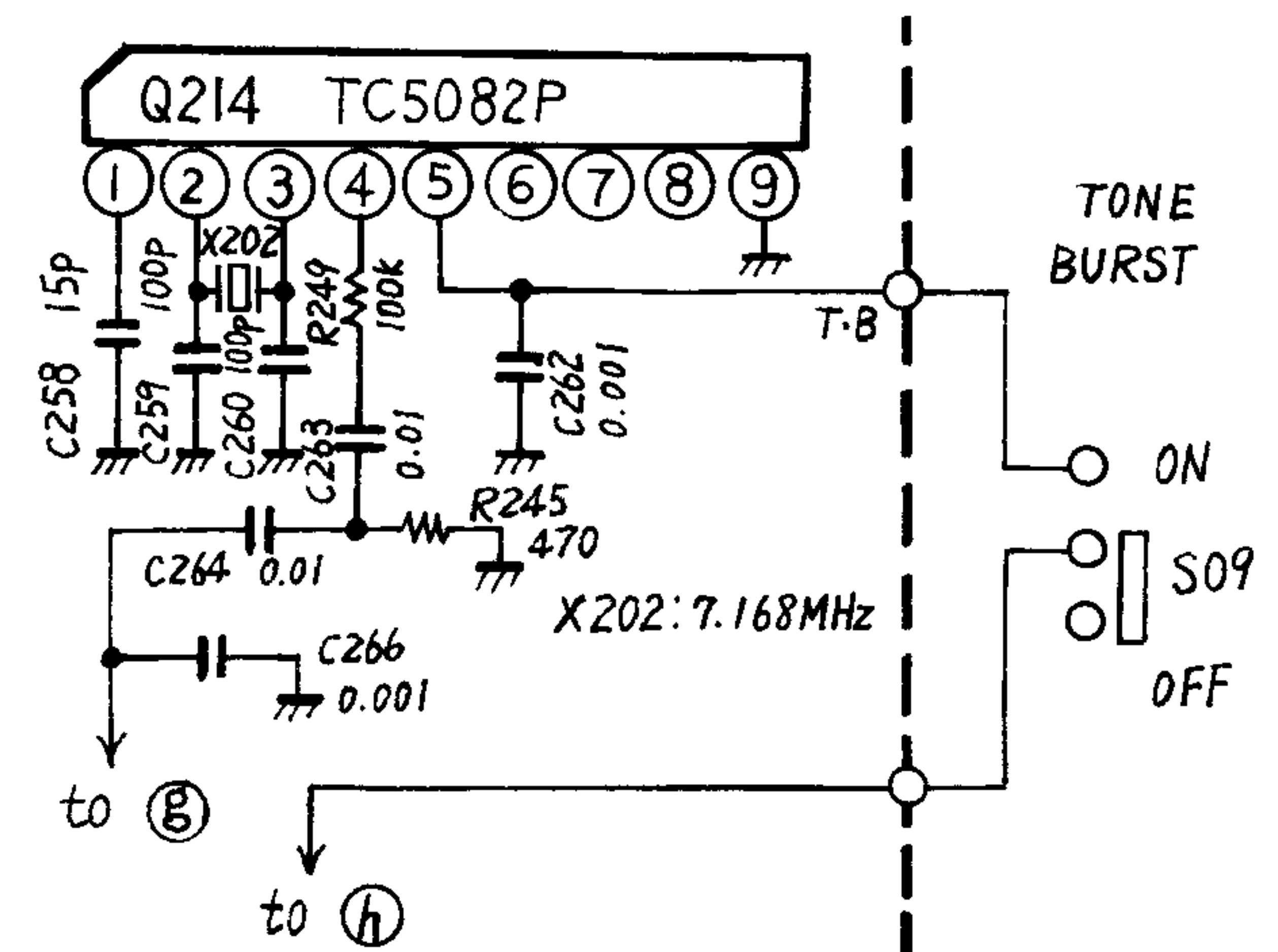


NOTES

1. ALL RESISTORS ARE IN Ω UNLESS OTHERWISE NOTED.
2. ALL CAPACITORS ARE IN μ F UNLESS OTHERWISE NOTED.
3. ALL ELECTROLYTIC CAPACITORS ARE IN μ F UNLESS OTHERWISE NOTED.
4. ALL DIODES ARE 1S15 UNLESS OTHERWISE NOTED.
5. VALUE IS NOMINAL.

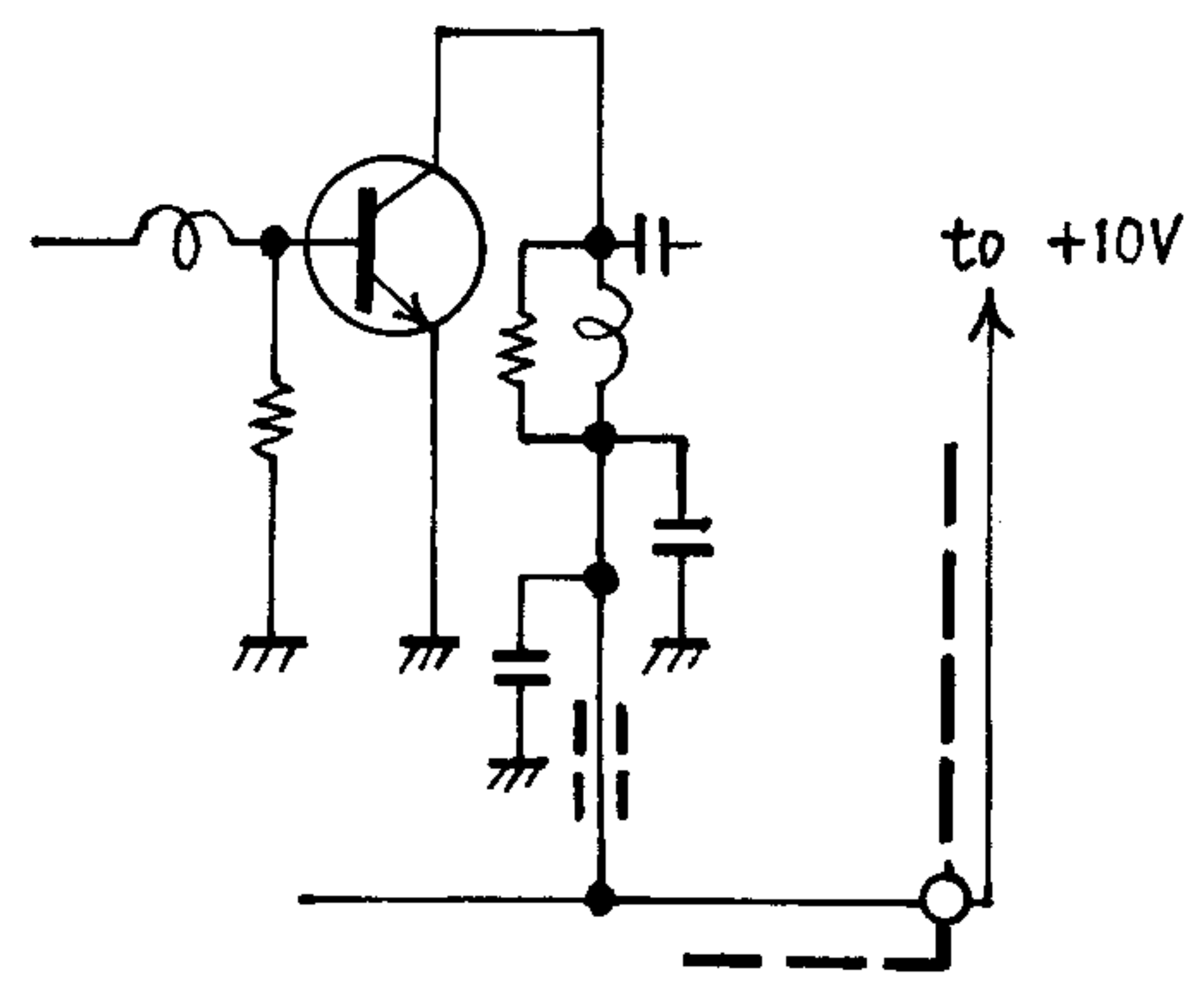


* 2. MODEL D E



... MODEL D E

Q208 2SC2196



4W UNLESS OTHERWISE NOTED.
1 μF UNLESS OTHERWISE NOTED.

3. ALL ELECTROLYTIC CAPACITORS ARE 16WV UNLESS OTHERWISE NOTED.
4. ALL DIODES ARE 1S155 UNLESS OTHERWISE NOTED.
5. VALUE IS NOMINAL.

FT - 207R
 MODEL D E
CIRCUIT DIAGRAM

Downloaded by
 RadioAmateur-EU